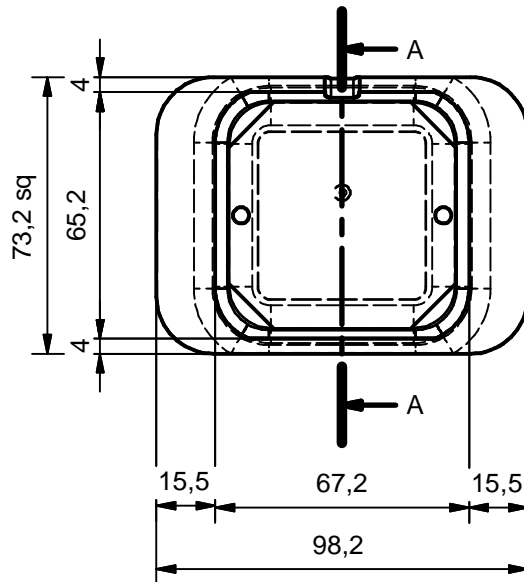
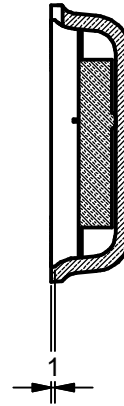


BOTTOM VIEW (1 : 2)

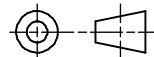


A-A (1 : 2)



Notes:

1. Dimensions are in mm UON.
2. Request tolerance chart A10ID1109A.



**PAGE UNDER
CONSTRUCTION**

Cost Centre: 02 IRIDIUM		Desc.: General assy - Sheet 1 of 1	
Treatment:		Project: Blip	
Finish:		Part #	A10AA1761A
Tolerance: Medium		Date:	2009-03-27
Drawing by: Margherita Perini	Checked by:	Approved by:	Scale A4
		Rev #	B
12 Delphi St. Eastgate Ext. 18, JHB www.webb.co.za ☎ +27 11 444-2299		 © 2009	